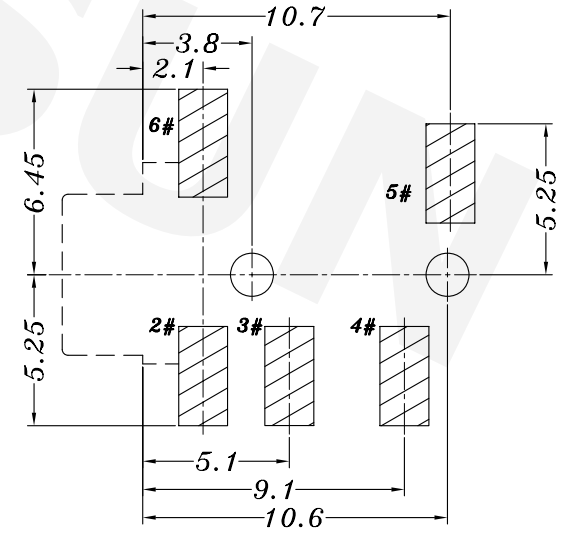
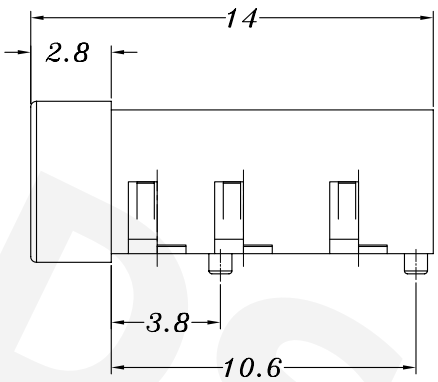
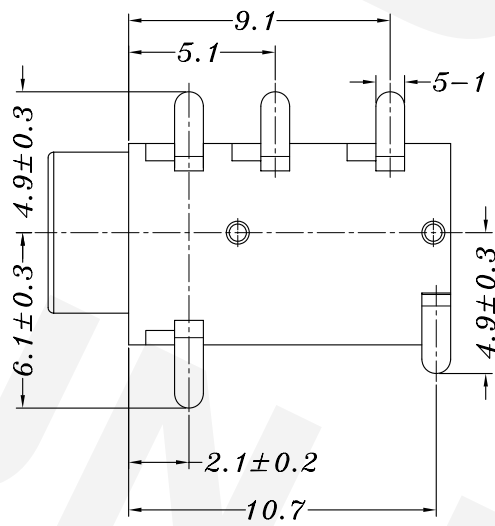
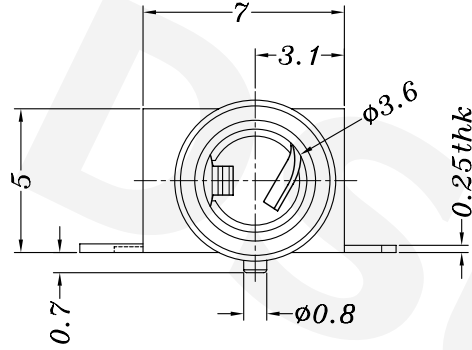
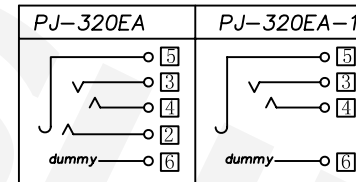


REV	LTR	DESCRIPTION	DATE	REVISER	APPD

P. C. B Layout
(Top view)



Schematic



⑥	6# CONTACT	1	BRASS	Ag-Plating
⑤	5# CONTACT	1	PHOSPHOR BRONZE	Ag-Plating
④	4# CONTACT	1	PHOSPHOR BRONZE	Ag-Plating
③	3# CONTACT	1	PHOSPHOR BRONZE	Ag-Plating
②	2# CONTACT	1	PHOSPHOR BRONZE	Ag-Plating
①	Housing	1	PA9T	Black
NO.	DESCRIPTION	QTY	MATERIAL	PLATING

东莞市鼎尚电子有限公司
DONGGUAN DSUN ELECTRONICS CO.,LTD.

UNIT:MM TYPE: 3.5 SMT PHONE JACK
MODEL NO: PJ-320EA

PAPER NO: A4	TOLERANCE	ANGLES	SCALE	VER
PAGE 1 OF 1	±0.3	±2°	FULL	03

DESIGNER BY: KING LI CHECK BY: XIAOMING HU APPROVED BY: RONG zhon